



CURRENT TRANSFORMERS

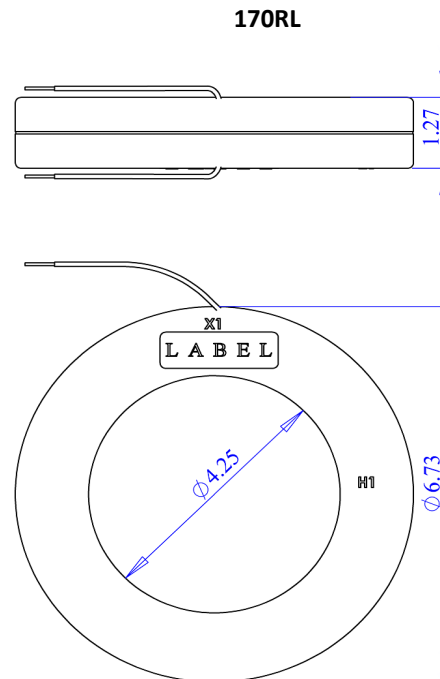
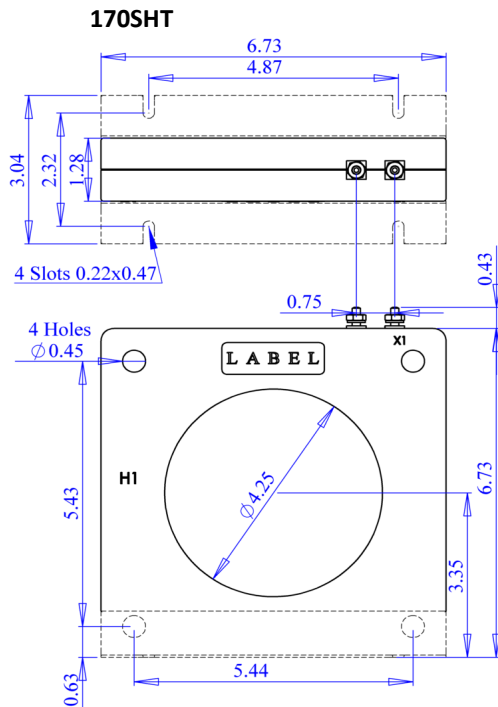
Model 170 (Window Size: 4.25" Diameters)

Application: Metering

Frequency: 50-400 Hz

Insulation Level: 600 Volts, 10Kv BIL Full Wave

- Flexible leads available for all case configurations. Flexible leads are UL 1015 105°C, C.S.A approved #16 AWG, 24" long standard length. Non-standard lengths are available upon request.
- Terminals are brass studs No. 8-32 UNC with one flat washer, one lock washer and one nut each. Terminals are only available on the square case configuration.
- Mounting brackets kits for the Model 170SHT are available when required.
- Approximate weight: 3 lbs.



*Note-Mounting brackets for the 170SHT and 170SHL are sold separately (Part Number 1121A00023-1)



CURRENT TRANSFORMERS

Model 170 (Window Size: 4.25" Diameter)

Catalog Number	Current Ratio	VA +/- 1% Class	ANSI Metering Class at 60 Hz.					Secondary Winding Resistance Ohms at 75°C	Continuous Thermal Rating Factor	
			B0.1	B0.2	B0.5	B0.9	B1.8		at 30°C	at 55°C
170-201	200:5	5.0	0.6	1.2	2.4	--	--	0.040	2.0	2.0
170-251	250:5	5.0	0.6	0.6	1.2	2.4	--	0.047	2.0	2.0
170-301	300:5	12.5	0.6	0.6	1.2	2.4	--	0.053	2.0	2.0
170-401	400:5	25.0	0.3	0.3	0.6	1.2	2.4	0.80	2.0	2.0
170-501	500:5	25.0	0.3	0.3	0.6	1.2	1.2	0.110	2.0	2.0
170-601	600:5	25.0	0.3	0.3	0.6	0.6	1.2	0.121	2.0	1.5
170-751	750:5	40.0	0.3	0.3	0.3	0.6	0.6	0.151	2.0	1.5
170-801	800:5	50.0	0.3	0.3	0.3	0.6	0.6	0.162	2.0	1.5
170-102	1000:5	75.0	0.3	0.3	0.3	0.6	0.6	0.265	1.33	1.5
170-122	1200:5	100.0	0.3	0.3	0.3	0.3	0.6	0.318	1.33	2.0
170-152	1500:5	80.0	0.3	0.3	0.3	0.3	0.6	0.344	1.33	1.0
170-162	1600:5	90.0	0.3	0.3	0.3	0.3	0.6	0.367	1.33	1.0
170-202	2000:5	100.0	0.3	0.3	0.3	0.3	0.3	0.459	1.0	0.8
170-252	2500:5	130.0	0.3	0.3	0.3	0.3	0.3	0.573	1.0	0.8
170-302	3000:5	160.0	0.3	0.3	0.3	0.3	0.3	0.424	1.0	1.0
170-352	3500:5	190.0	0.3	0.3	0.3	0.3	0.3	0.495	1.0	0.8
170-402	4000:5	200.0	0.3	0.3	0.3	0.3	0.3	0.646	1.0	0.8

****Note:** When ordering, use prefix below to indicate unit designation/configuration.
(i.e. 170SHT-101)

*SHT= Square Case w/o molded feet and terminals

*SHL= Square Case w/o molded feet and 24" leads

RL= Thin Round Case and 24" leads

*Note-Mounting Brackets for the 170SHT and 170SHL Part Number 1121A00023-1



Electromagnetic Industries LLP

www.electromagnetic.biz

CURRENT TRANSFORMERS

Model 170

SECONDARY VOLTAGE
60Hz.

