



CURRENT TRANSFORMERS

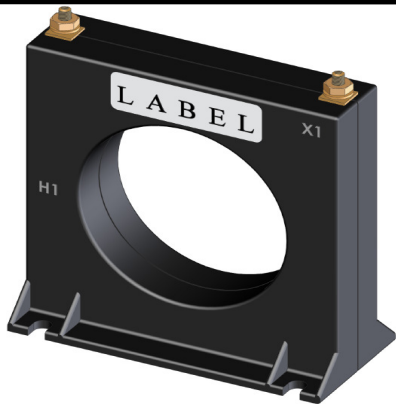
Model 76 (Window Size: 3.00" Diameters)

Application: Used with ammeters, watt meters, and cross current compensation.

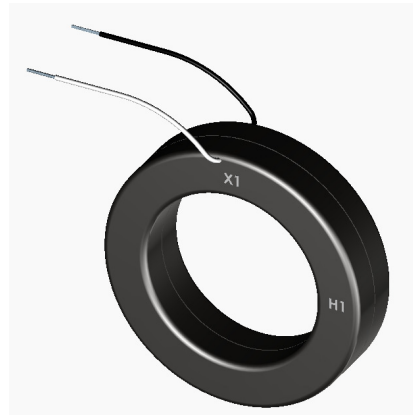
Frequency: 50-400 Hz

Insulation Level: 600 Volts, 10Kv BIL Full Wave

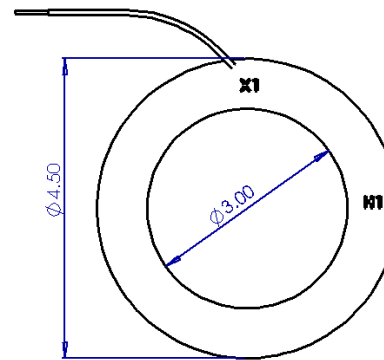
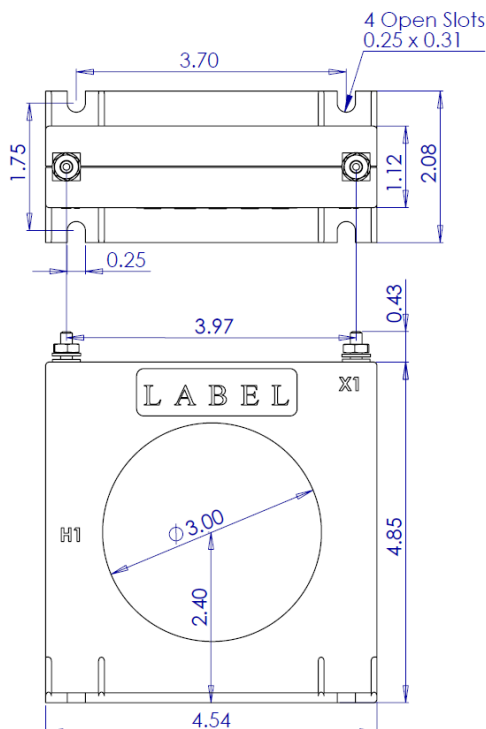
- Flexible leads available for all case configurations. Flexible leads are UL 1015 105°C, C.S.A approved #16 AWG, 24" long standard length. Non-standard lengths are available upon request.
- Terminals are brass studs No. 8-32 UNC with one flat washer, one lock washer and one nut each. Terminals are only available on the square case configuration.
- Approximate weight: 0.8 lbs.



76SFT



76RL





CURRENT TRANSFORMERS

Model 76 (Window Size: 3.00" Diameter)

Catalog Number	Current Ratio	Accuracy at 60 Hz	Burden VA at 60 Hz
76**-201	200:5	±1%	5.0
76**-251	250:5	±1%	5.0
76**-301	300:5	±1%	6.0
76**-401	400:5	±1%	10.0
76**-501	500:5	±1%	10.0
76**-601	600:5	±1%	10.0
76**-751	750:5	±1%	12.5
76**-801	800:5	±1%	12.5
76**-102	1000:5	±1%	12.5
76**-122	1200:5	±1%	12.5
76**-152	1500:5	±1%	12.5
76**-162	1600:5	±1%	12.5
76**-202	2000:5	±1%	15.0

** Note When Ordering use prefix below to indicate unit designation/configuration. (i.e. 76SFT-201)

*SFT= Square Case w/ molded feet and terminals

*SFL= Square Case w/ molded feet and 24" leads

RL= Thin Round Case and 24" leads