

TOROIDAL CURRENT TRANSFORMERS

Model 170 Ratio to 5 (Window Size: 4.25" Dia.)

Application: Metering

Frequency: 50-400 Hz

Insulation Level: 600 Volts, 10Kv BIL Full Wave

Standards: CSA 66.1-06, CSA 66.2-06, IEEE C 57.13, and UL 506

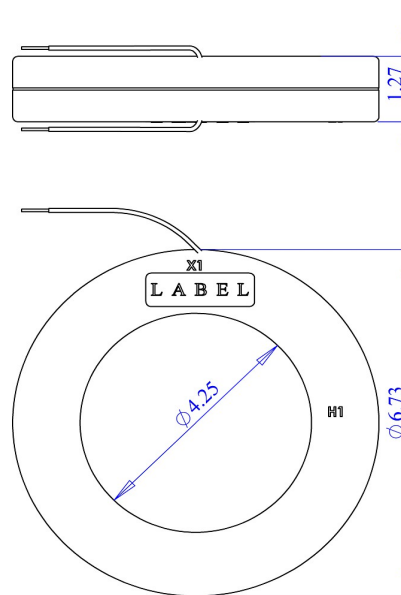
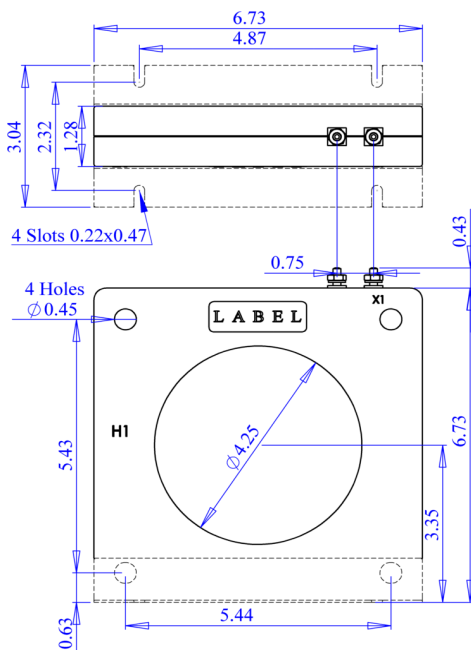
- Flexible leads available for all case configurations. Flexible leads are UL 1015 105°C, C.S.A approved #16 AWG, 24" long standard length. Non-standard lengths are available upon request.
- Terminals are brass. See page 2 for available Stud and Female hardware options.
- Terminals are only available on the square case configuration.)
- Mounting bracket kits for the Model 170SHT or 170SHL are available.
- Approximate weight: 3 lbs.



170SHT



170RL



*Note-Mounting brackets for the 170SHT and 170SHL are sold separately (Part Number 1121A00023-1)

Rev F 06 12 2024

TOROIDAL CURRENT TRANSFORMERS

Model 170 Ratio to 5 (Window Size: 4.25" Dia.)

| Catalog Number | Current Ratio | VA +/- 1% Class | ANSI Metering Class at 60 Hz. | | | | | Secondary Winding Resistance Ohms at 75°C | Continuous Thermal Rating Factor | |
|----------------|---------------|-----------------|-------------------------------|------|------|------|------|---|----------------------------------|---------|
| | | | B0.1 | B0.2 | B0.5 | B0.9 | B1.8 | | at 30°C | at 55°C |
| 170**-201 | 200:5 | 5.0 | 0.6 | 1.2 | 2.4 | -- | --- | 0.040 | 2.0 | 2.0 |
| 170**-251 | 250:5 | 5.0 | 0.6 | 0.6 | 1.2 | 2.4 | --- | 0.047 | 2.0 | 2.0 |
| 170**-301 | 300:5 | 12.5 | 0.6 | 0.6 | 1.2 | 2.4 | --- | 0.053 | 2.0 | 2.0 |
| 170**-401 | 400:5 | 25.0 | 0.3 | 0.3 | 0.6 | 1.2 | 2.4 | 0.80 | 2.0 | 2.0 |
| 170**-501 | 500:5 | 25.0 | 0.3 | 0.3 | 0.6 | 1.2 | 1.2 | 0.110 | 2.0 | 2.0 |
| 170**-601 | 600:5 | 25.0 | 0.3 | 0.3 | 0.6 | 0.6 | 1.2 | 0.121 | 2.0 | 1.5 |
| 170**-751 | 750:5 | 40.0 | 0.3 | 0.3 | 0.3 | 0.6 | 0.6 | 0.151 | 2.0 | 1.5 |
| 170**-801 | 800:5 | 50.0 | 0.3 | 0.3 | 0.3 | 0.6 | 0.6 | 0.162 | 2.0 | 1.5 |
| 170**-102 | 1000:5 | 75.0 | 0.3 | 0.3 | 0.3 | 0.6 | 0.6 | 0.265 | 1.33 | 1.5 |
| 170**-122 | 1200:5 | 100.0 | 0.3 | 0.3 | 0.3 | 0.3 | 0.6 | 0.318 | 1.33 | 2.0 |
| 170**-152 | 1500:5 | 80.0 | 0.3 | 0.3 | 0.3 | 0.3 | 0.6 | 0.344 | 1.33 | 1.0 |
| 170**-162 | 1600:5 | 90.0 | 0.3 | 0.3 | 0.3 | 0.3 | 0.6 | 0.367 | 1.33 | 1.0 |
| 170**-202 | 2000:5 | 100.0 | 0.3 | 0.3 | 0.3 | 0.3 | 0.3 | 0.459 | 1.0 | 0.8 |
| 170**-252 | 2500:5 | 130.0 | 0.3 | 0.3 | 0.3 | 0.3 | 0.3 | 0.573 | 1.0 | 0.8 |
| 170**-302 | 3000:5 | 160.0 | 0.3 | 0.3 | 0.3 | 0.3 | 0.3 | 0.424 | 1.0 | 1.0 |
| 170**-352 | 3500:5 | 190.0 | 0.3 | 0.3 | 0.3 | 0.3 | 0.3 | 0.495 | 1.0 | 0.8 |
| 170**-402 | 4000:5 | 200.0 | 0.3 | 0.3 | 0.3 | 0.3 | 0.3 | 0.646 | 1.0 | 0.8 |

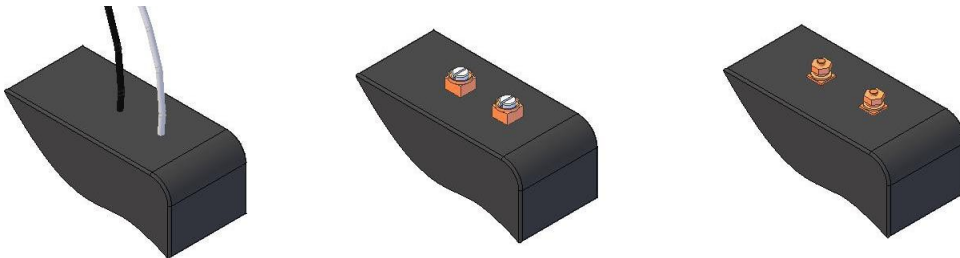
ORDERING NOTE*: When ordering, use the prefix below to indicate unit designation/configuration. (i.e. 170SHT-101)

RL = Thin Round Case with Standard 24" leads (Non-standard lengths are available upon request)

SHX* = Square Case with mounting holes

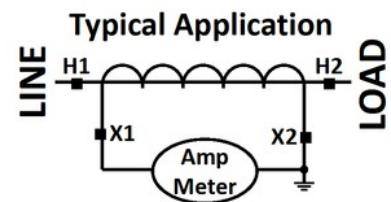
T = Male (Brass studs No. 8-32 UNC with one flat washer, one lock washer and one nut each)

Y = Female (Brass with one Cup washer, one lock washer and one No. 8-32 UNC binding head screw each)



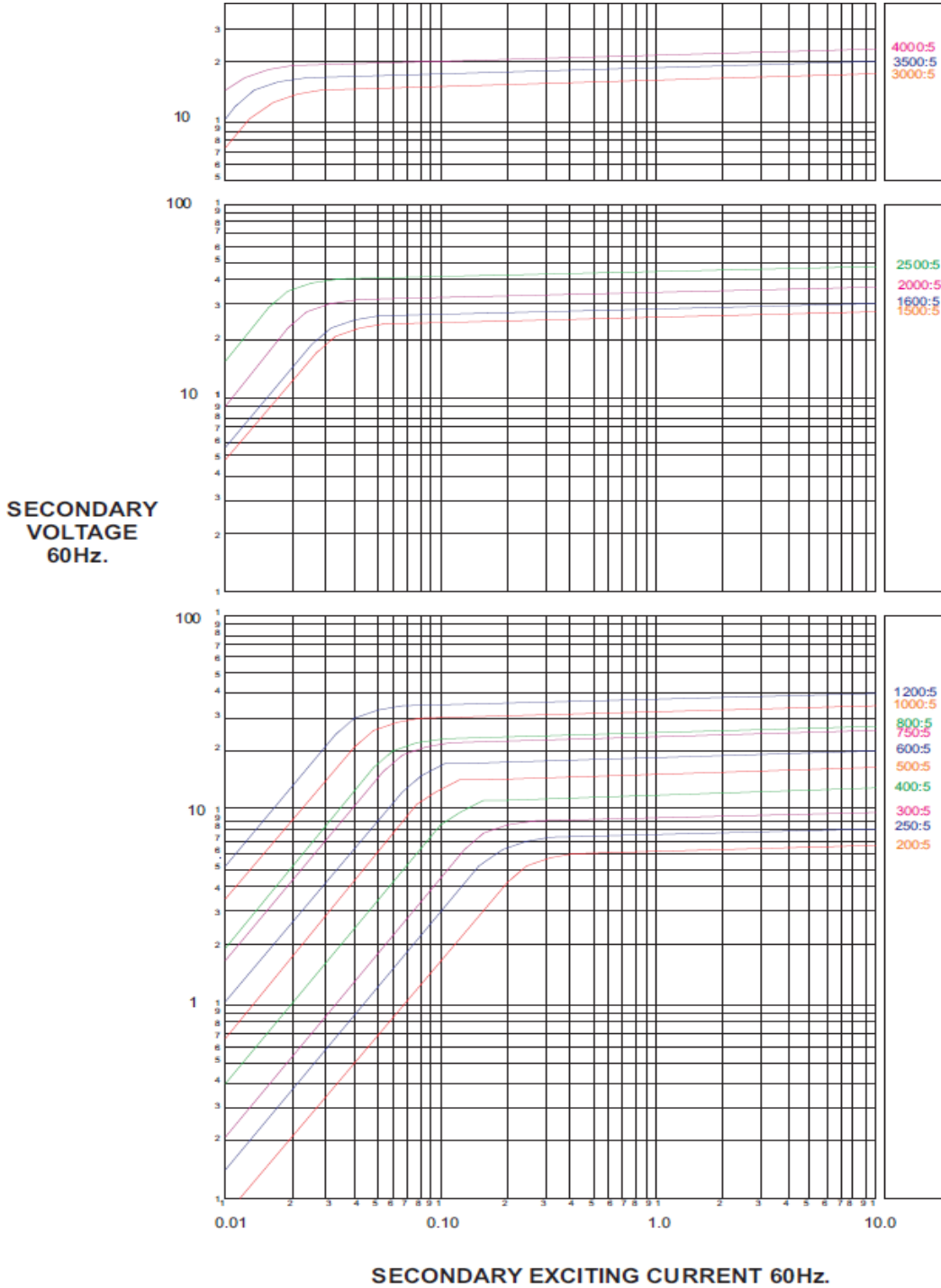
L = 16awg Lead Wire Y = Female Terminals T = Male Terminals

*X is to be replaced with "L", "Y" or "T" for terminal or lead designation.



*Note-Mounting brackets for the 170SHT and 170SHL are sold separately (Part Number 1121A00023-1)

TOROIDAL CURRENT TRANSFORMERS
 Model 170 Ratio to 5 (Window Size: 4.25" Dia.)



Rev F 06 12 2024