

## PRIMARY WOUND CURRENT TRANSFORMERS

### Model 189 Ratio to 5

**Application:** Generally used for ammeters and wattmeters.

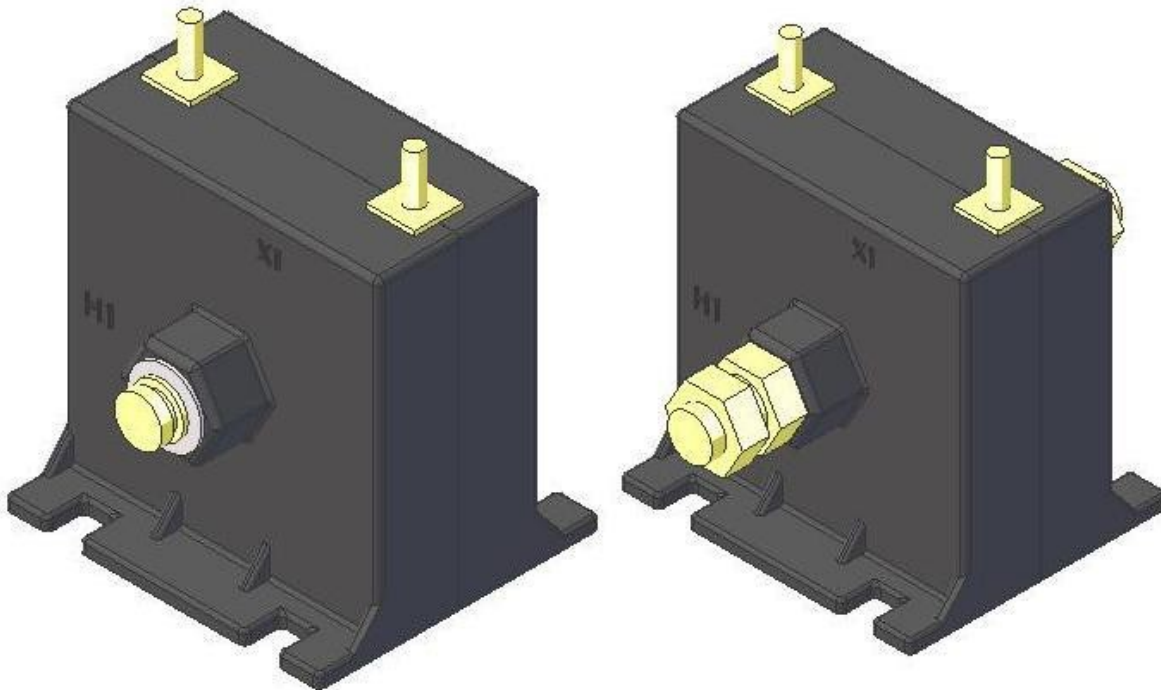
**Frequency:** 50-400 Hz

**Insulation Level:** 0.6kV BIL 10kV Full Wave

**Standards:** CSA 66.1-06, CSA 66.2-06, IEEE C 57.13, and UL 506

**Continuous Thermal Current Rating Factor:** 1.33 at 30 degrees C. amb., 1.0 at 55 degrees C. amb.

**Approximate Weight:** 0.75 lbs.

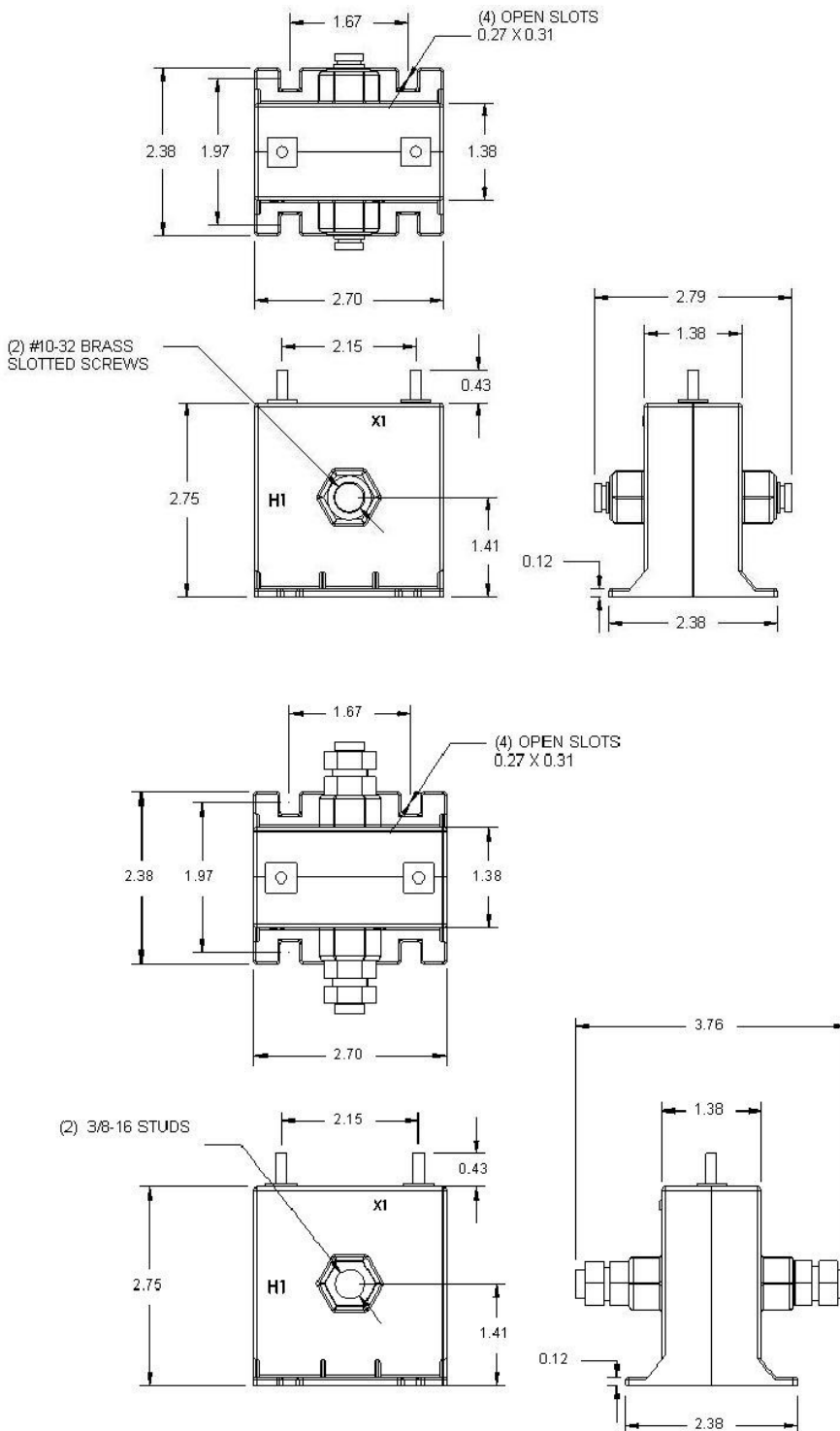


CATALOG NUMBER	CURRENT RATIO	ANSI METERING CLASS AT 60HZ		CATALOG NUMBER	CURRENT RATIO	ANSI METERING CLASS AT 60HZ	
		B0.1	B0.2			B0.1	B0.2
189-0025	2.5:5	0.6	0.6	189-040	40:5	0.6	0.6
189-005	5:5	0.6	0.6	189-050	50:5	0.6	0.6
189-0075	7.5:5	0.6	0.6	189-060	60:5	0.6	0.6
189-010	10:5	0.6	0.6	189-075	75:5	0.6	0.6
189-015	15:5	0.6	0.6	189-080	80:5	0.6	0.6
189-020	20:5	0.6	0.6	189-101	100:5	0.6	0.6
189-025	25:5	0.6	0.6				
189-030	30:5	0.6	0.6				

Rev F 06 12 2024

# PRIMARY WOUND CURRENT TRANSFORMERS

## Model 189 Ratio to 5



Rev F 06 12 2024

## PRIMARY WOUND CURRENT TRANSFORMERS

### Model 189 Ratio to 5

The Model 189 is a low ratio wound primary current transformer, suitable for primary current up to 100 amperes. The table lists the most common current ratings. Primary terminals for the Model 189 for ratios of 30:5 and below are No. 10-32 brass screws with one lock washer (**Dimensions A=3.28**). For ratios 40:5 and above, 3/8- 16 brass studs with one lock washer and regular nut (**Dimensions A=4.10**).