

THREE PHASE CURRENT TRANSFORMER

Model 3P4 Assembly Series Ratio to 5 (Window Size: 1.56" Dia.)

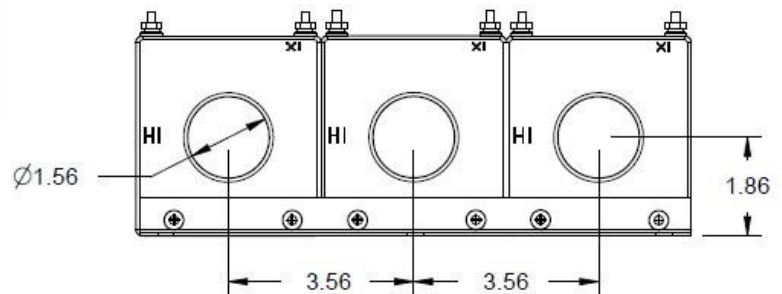
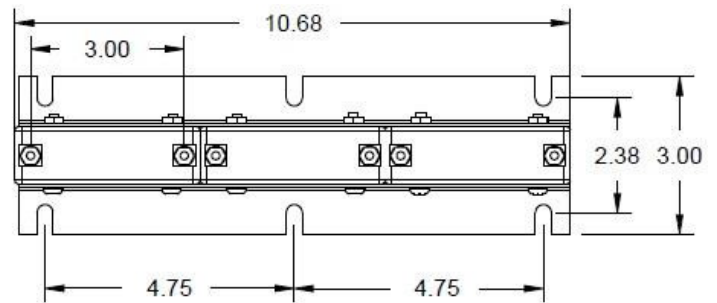
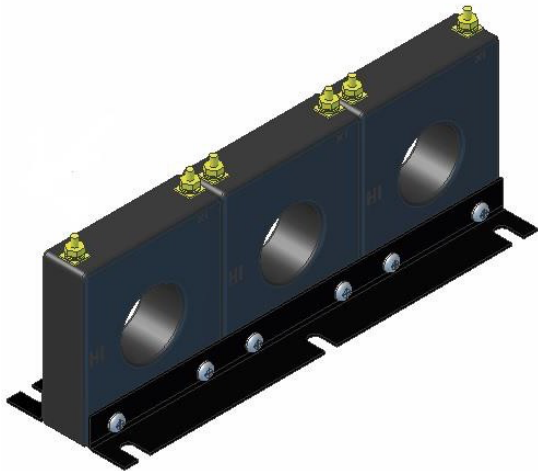
Application: Used with ammeters, watt meters and cross current compensation.

Frequency: 50-400 Hz

Insulation Level: 600 Volts, 10Kv BIL Full Wave

Standards: CSA 66.1-06, CSA 66.2-06, IEEE C 57.13, and UL 506

- The Model 3P4 Series are three (3) Model 5SHT units mounted on a single base.
- Terminals are brass. See page 2 for available Stud and Female hardware options.
- Terminals are only available on the square case configuration.
- Approximate weight: 2.5 lbs.



THREE PHASE CURRENT TRANSFORMER

Model 3P4 Assembly Series Ratio to 5 (Window Size: 1.56" Dia.)

Catalog Number	Current Ratio	Models 3P4	
		Accuracy at 60 Hz	Burden VA at 60Hz
3P4-500	50:5	± 2%	1.0
3P4-600	60:5	± 2%	1.5
3P4-750	75:5	± 2%	1.5
3P4-101	100:5	± 1%	2.0
3P4-151	150:5	± 1%	5.0
3P4-201	200:5	± 1%	5.0
3P4-251	250:5	± 1%	10.0
3P4-301	300:5	± 1%	12.5
3P4-401	400:5	± 1%	12.5
3P4-501	500:5	± 1%	20.0
3P4-601	600:5	± 1%	25.0
3P4-751	750:5	± 1%	25.0
3P4-801	800:5	± 1%	25.0
3P4-102	1000:5	± 1%	25.0
3P4-122	1200:5	± 1%	30.0