

POTENTIAL TRANSFORMERS

Model 468 120 Volt

These transformers are encased in a thermoplastic case with the core and windings encapsulated in resin. They are designed for line-to-line operation but may also be used in line to neutral or line to ground configuration at 58% of rated voltage.

It is recommended that a 0.80 Amp fuse be used in the secondary to protect the transformer.

Frequency: 60 Hz.

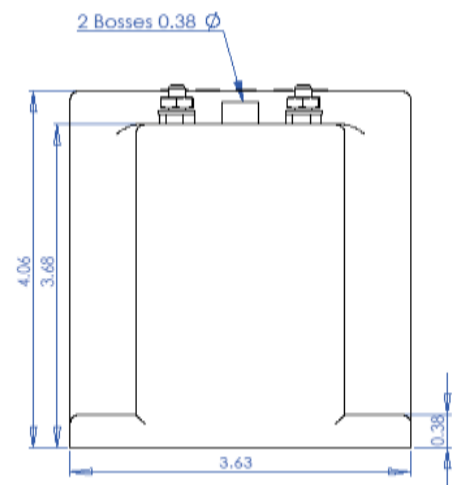
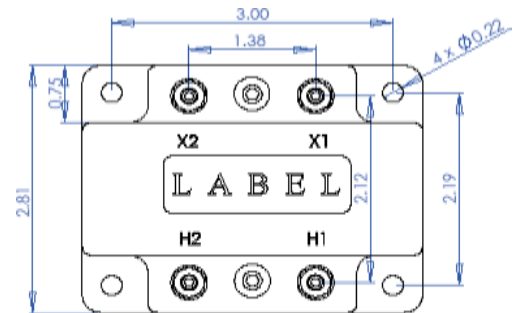
Standard Secondary Voltage: 120 VAC

Insulation Level: 600 Volts, 10Kv BIL Full Wave

Accuracy Class: +/-0.6% at all burdens up to 7.5VA and +/-1.5% at 20VA burden.

Thermal Rating: 75 VA @ 30C. Amb. and 50 VA @ 55C. Amb.

- Terminals are No. 10-32 Brass studs with one lock washer and one flat washer each.
- All transformers listed except for the 480v and 600v are ANSIC57.13 Group 1. The 480v and 600v are Group 2.



Catalog Number	Voltage Ratio	Turns Ratio	Recommended Primary Fuse Rating
468-069	69.3:120	0.58:1	3.0 A
468-120	120:120	1:1	2.0 A
468-208	208:120	1.73:1	1.0 A
468-240	240:120	2:1	1.0 A
468-277	277:120	2.31:1	1.0 A
468-288	288:120	2.4:1	0.75 A
468-300	300:120	2.5:1	0.75 A
468-346	346:120	2.88:1	0.75 A
468-480	480:120	4:1	0.50 A
468-600	600:120	5:1	0.40 A

Rev F 06 12 2024