

RECTANGLE/SPLIT CORE CURRENT TRANSFORMERS

Model 500 Ratio to 5 (Window Size: 4" X 7" TO 10" X 30")

Application: Used with ammeters, watt meters and cross current compensation.

Frequency: 50-400 Hz

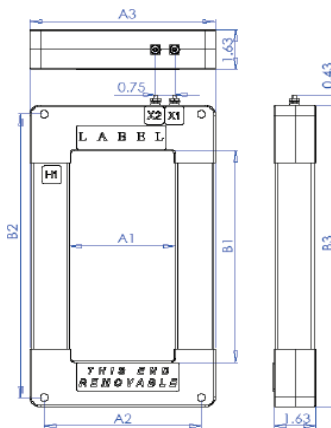
Insulation Level: 600 Volts, 10Kv BIL Full Wave

- Flexible leads available for all case configurations. Flexible leads are UL 1015 105°C, C.S.A approved #16 AWG, 24" long standard length. Non-standard lengths are available upon request.
- Terminals are brass studs No. 8-32 UNC with one flat washer, one lock washer and one nut each. Terminals are only available on the square case configuration.
- Continuous Thermal Current Rating Factor: 1.33 @ 30 Deg. C. Amb.: 1.0 @55 Deg. C. Amb.
- Approximate weight: 8 to 20 lbs.

This transformer is designed to have the capability to be assembled around existing bus bars or conductors. To install, simply remove the cover labeled "This End Removable". Remove the two (2) bolts holding the core in place and then remove the bottom section of the core. To install, just reverse these steps.

1. Proper safety precautions must be followed during the installation by a trained electrical.
2. Never install while the bus is energized.
3. Before energizing the current transformer, secondary must have a burden or be short circuited.

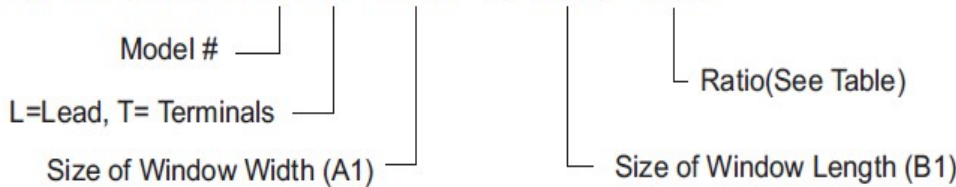
Dimension						Max
A1	A2	A3	B1	B2	B3	Ratio
4.1	6.4	7.3	7.1	10.0	10.9	4000:5
4.1	6.4	7.3	11.7	14.5	15.4	8000:5
4.1	6.4	7.3	14.1	17.0	17.9	8000:5
4.1	6.4	7.3	18.0	21.0	21.9	8000:5
4.1	6.4	7.3	24.0	27.0	27.9	10000:5
4.1	6.4	7.3	30.1	33.0	33.9	10000:5
5.1	7.2	8.3	7.1	10.0	10.9	4000:5
5.1	7.2	8.3	11.7	14.5	15.4	8000:5
5.1	7.2	8.3	14.1	17.0	17.9	8000:5
5.1	7.2	8.3	18.0	21.0	21.9	8000:5
5.1	7.2	8.3	24.0	27.0	27.9	10000:5
5.1	7.2	8.3	30.1	33.0	33.9	10000:5
5.8	7.0	9.0	7.1	10.0	10.9	4000:5
5.8	7.0	9.0	11.7	14.5	15.4	8000:5
5.8	7.0	9.0	14.1	17.0	17.9	8000:5
5.8	7.0	9.0	18.0	21.0	21.9	8000:5
5.8	7.0	9.0	24.0	27.0	27.9	10000:5
5.8	7.0	9.0	30.1	33.0	33.9	10000:5
8.0	9.5	11.1	7.1	10.0	10.9	4000:5
8.0	9.5	11.1	11.7	14.5	15.4	8000:5
8.0	9.5	11.1	14.1	17.0	17.9	8000:5
8.0	9.5	11.1	18.0	21.0	21.9	8000:5
8.0	9.5	11.1	24.0	27.0	27.9	1000:5
8.0	9.5	11.1	30.1	33.0	33.9	1000:5
10.1	11.6	13.2	7.1	10.0	10.9	4000:5
10.1	11.6	13.2	11.7	14.5	15.4	8000:5
10.1	11.6	13.2	14.1	17.0	17.9	8000:5
10.1	11.6	13.2	18.0	21.0	21.9	8000:5
10.1	11.6	13.2	24.0	27.0	27.9	10000:5
10.1	11.6	13.2	30.1	33.0	33.9	10000:5



RECTANGLE/SPLIT CORE CURRENT TRANSFORMERS

Model 500 Ratio to 5 (Window Size: 4" X 7" TO 10" X 30")

How To Order: 500 X - XXX - X -XXX - XXX



Inside Window Width	Width Nomenclature
4.1"	041
5.1"	051
5.8"	058
8.0"	080
10.0"	100

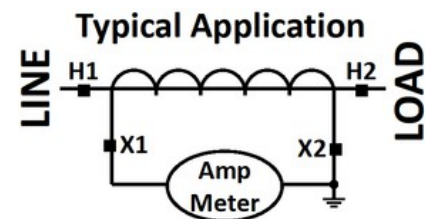
Inside Window Width	Width Nomenclature
7.1"	071
11.7"	117
14.1"	141
18.1"	181
24.0"	240
30.1"	301

Current Ratio	Part # Suffix
300:5	301
400:5	401
500:5	501
600:5	601
750:5	751
800:5	801
1000:5	102
1200:5	122
1500:5	152
2000:5	202
2500:5	252
3000:5	302
3500:5	352
4000:5	402
5000:5	502
6000:5	602
8000:5	802
10000:5	103

These tables show the standard inside window dimension. Non-Standard sizes are also available.

The accuracy table below is for the 500T-041 X117.

Current Ratio	ANSI Metering Class @ 60Hz			Accuracy Class with U.P.F. Burden
	B0.1	B0.2	B0.5	
300:5	-	-	-	±5%@1.5VA
400:5	-	-	-	±3%@2.5VA
500:5	-	-	-	±2%@2.5VA
600:5	4.8	-	-	±1%@4.0VA
750:5	4.8	-	-	±1%@5.0VA
800:5	2.4	-	-	±1%@5.0VA
1000:5	2.4	4.8	-	±1%@7.5VA
1200:5	1.2	2.4	-	±1%@10.0VA
1500:5	1.2	1.2	2.4	±1%@12.5VA
2000:5	0.6	1.2	2.4	±1%@15.0VA
2500:5	0.6	0.6	1.2	±1%@25.0VA
3000:5	0.6	0.6	1.2	±1%@25.0VA
3500:5	0.6	0.6	0.6	±1%@25.0VA
4000:5	0.3	0.6	0.6	±1%@25.0VA
5000:5	0.3	0.3	0.3	±1%@30.0VA
6000:5	0.3	0.3	0.3	±1%@40.0VA



Accuracies for other sizes will be made available upon request.