

TOROIDAL CURRENT TRANSFORMERS

Model 56 Ratio to 5 (Window Size: 2.06" Dia.)

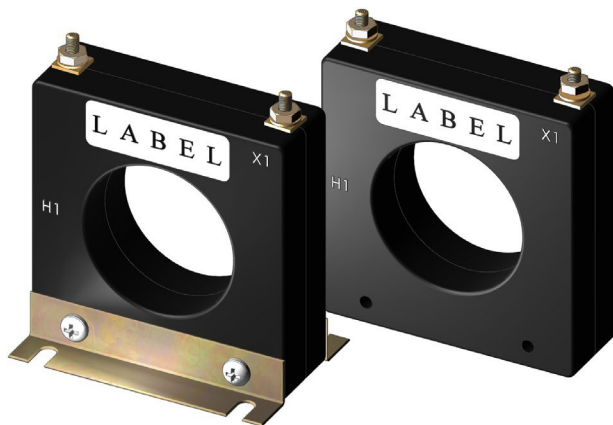
Application: Used with ammeters, watt meters and cross current compensation.

Frequency: 50-400 Hz

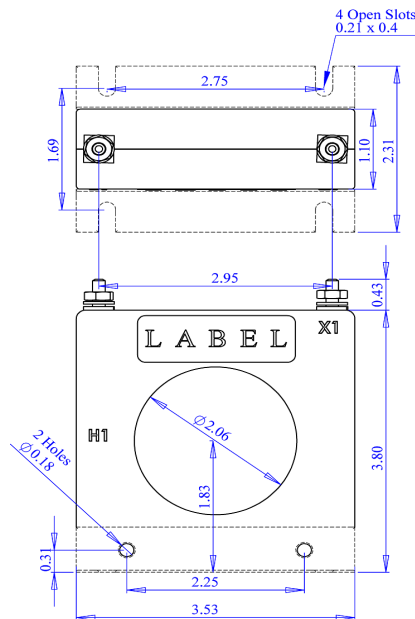
Insulation Level: 600 Volts, 10Kv BIL Full Wave

Standards: CSA 66.1-06, CSA 66.2-06, IEEE C 57.13, and UL 506

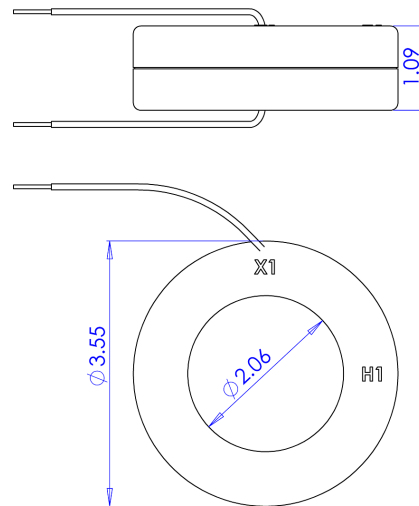
- Flexible leads available for all case configurations. Flexible leads are UL 1015 105°C, C.S.A approved #16 AWG, 24" long standard length. Non-standard lengths are available upon request.
- Terminals are brass. See page 2 for available Stud and Female hardware options.
- Terminals are only available on the square case configuration.
- Mounting bracket kits for the Model 5SHT or 5SHL are available.
- Approximate weight: 0.5 lbs.



56SHT



56RL



TOROIDAL CURRENT TRANSFORMERS

Model 56 Ratio to 5 (Window Size: 2.06" Dia.)

| Catalog Number | Current Ratio | Models 56SFT, 56RL | |
|----------------|---------------|--------------------|--------------------|
| | | Accuracy at 60 Hz | Burden VA at 60 Hz |
| 56 **—500 | 50:5 | ± 3% | 0.5 |
| 56 **—600 | 60:5 | ± 3% | 0.5 |
| 56 **—750 | 75:5 | ± 2% | 0.5 |
| 56 **—101 | 100:5 | ± 1% | 1.0 |
| 56 **—151 | 150:5 | ± 1% | 2.5 |
| 56 **—201 | 200:5 | ± 1% | 4.0 |
| 56 **—251 | 250:5 | ± 1% | 6.0 |
| 56 **—301 | 300:5 | ± 1% | 7.5 |
| 56**—401 | 400:5 | ± 1% | 10.0 |
| 56**—501 | 500:5 | ± 1% | 12.5 |
| 56**—601 | 600:5 | ± 1% | 15.0 |
| 56**—751 | 750:5 | ± 1% | 7.0 |
| 56**—801 | 800:5 | ± 1% | 8.0 |
| 56**—102 | 1000:5 | ± 1% | 10.0 |
| 56**—122 | 1200:5 | ± 1% | 12.5 |

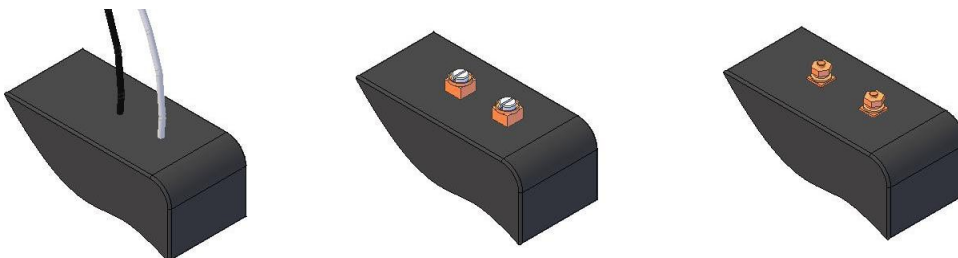
ORDERING NOTE*: When ordering, use the prefix below to indicate unit designation/configuration. (i.e. 56SHT-101)

RL = Thin Round Case with Standard 24" leads (Non-standard lengths are available upon request)

SHX* = Square Case with mounting holes

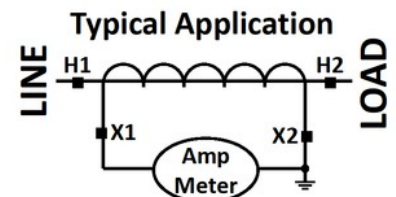
T = Male (Brass studs No. 8-32 UNC with one flat washer, one lock washer and one nut each)

Y = Female (Brass with one Cup washer, one lock washer and one No. 8-32 UNC binding head screw each)



L = 16awg Lead Wire Y = Female Terminals T = Male Terminals

*X is to be replaced with "L", "Y" or "T" for terminal or lead designation.



*Note-Mounting brackets for the 56SHT and 56SHL are sold separately (Part Number 1121A00020-1)