

RECTANGLE/SPLIT CORE CURRENT TRANSFORMERS

Model 608 Ratio to 5 (Window Size: 2.60" X 6.25")

Application: Used for energy management systems and instrumentation.

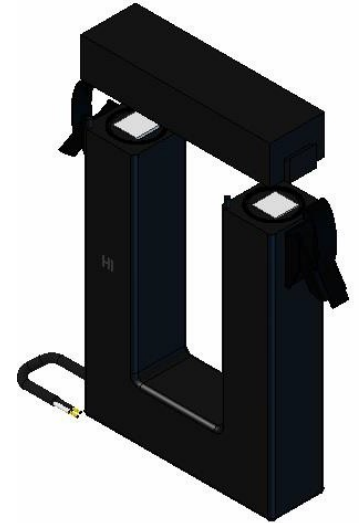
Frequency: 50-400 Hz

Insulation Level: 600 Volts, 10Kv BIL Full Wave

Standards: CSA 66.1-06, CSA 66.2-06, IEEE C 57.13, and UL 506

- Secondary Cable: Shielded #16 AWG, 72" long. Direct Burial, U.V. Res. U.L. Type TC. Non-standard lengths are available upon request.
- Approximate weight: 8 lbs.

This current transformer is a weatherproof design suitable for use outdoor. The transformer cases are UV stabilized thermoplastic and filled with polyurethane resin. The mating surfaces of the transformer case are protected by a gasket. Clamps are made of steel for extra durability.



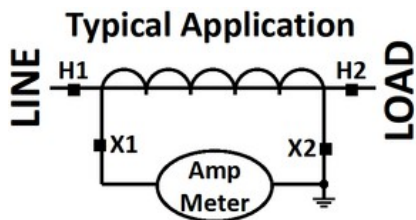
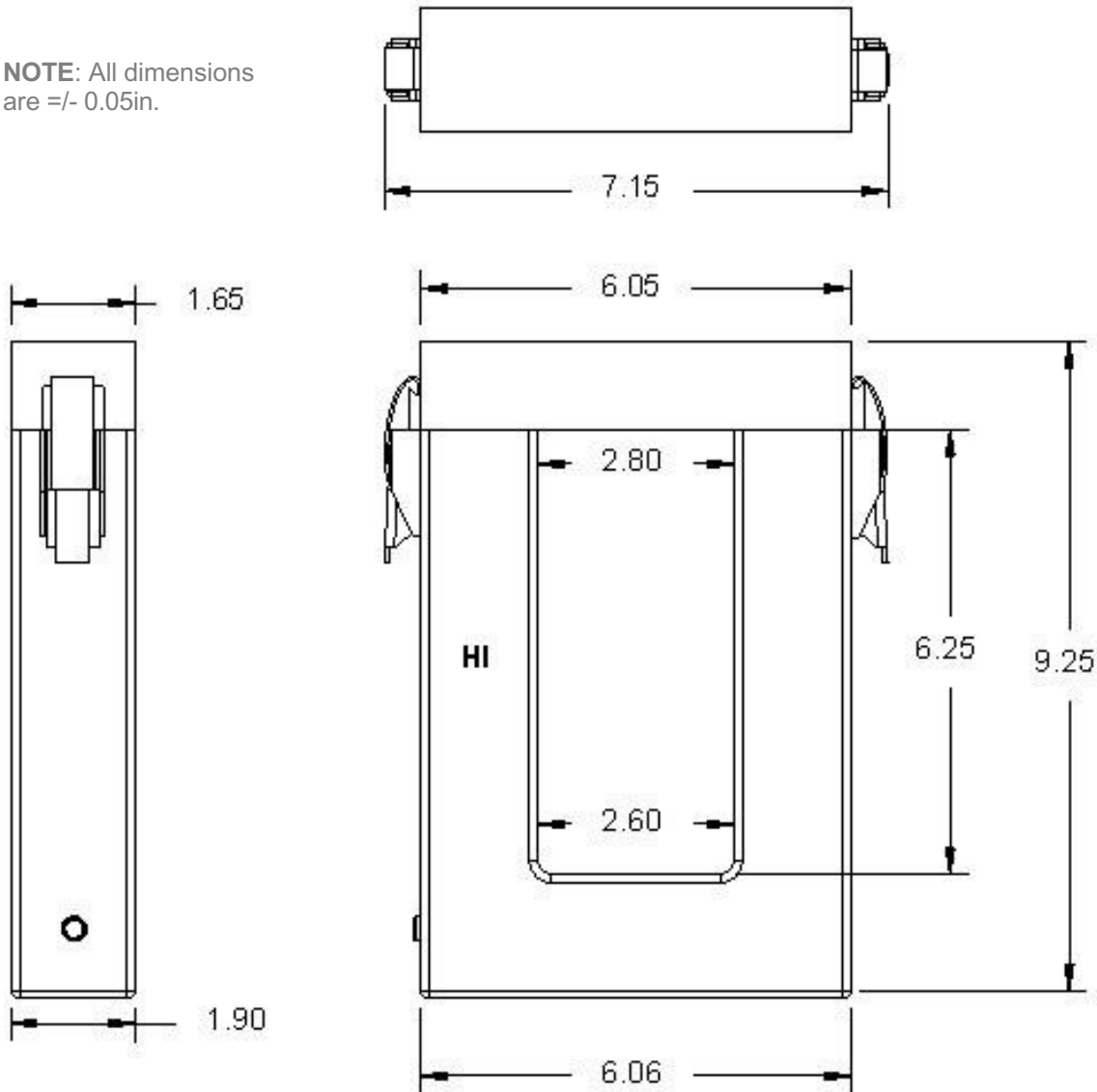
- Designed for assembly to an existing electrical installation without the need for dismantling the primary bus or cables.
- Proper safety precautions must be followed during the installation by a trained electrical. Never install while the bus is energized.
- Before energizing the current transformer, secondary must have a burden or be short circuited.

Model	Ratio	ANSI METERING CLASS AT 60 Hz					VA +/-at 1% Class	Secondary Winding Resistance	Continuous Thermal Rating Factor	
		B0.1	B0.2	B0.5	B0.9	B1.8			at 30°C	at 55°C
608*-501	500:5	1.2	1.2	4.8	--	--	4	0.061	1.33	1.00
608*-601	600:5	1.2	1.2	4.8	--	--	6	0.085	1.33	1.00
608*-801	800:5	1.2	1.2	2.4	4.8	--	10	0.097	1.33	1.00
608*-102	1000:5	0.6	1.2	1.2	2.4	4.8	12	0.126	1.33	1.00
608*-122	1200:5	0.6	0.6	1.2	1.2	2.4	16	0.153	1.33	1.00
608*-152	1500:5	0.6	0.6	1.2	1.2	2.4	25	0.257	1.33	1.00
608*-162	1600:5	0.6	0.6	0.6	1.2	2.4	27	0.398	1.33	1.00
608*-202	2000:5	0.6	0.6	0.6	1.2	1.2	33	0.508	1.33	1.00
608*-252	2500:5	0.3	0.6	0.6	0.6	1.2	42	0.642	1.00	0.7
608*-302	3000:5	0.3	0.6	0.6	0.6	1.2	50	0.835	1.00	0.7
608*-322	3200:5	0.3	0.3	0.6	0.6	1.2	54	0.877	1.00	0.7

RECTANGLE/SPLIT CORE CURRENT TRANSFORMERS

Model 608 Ratio to 5 (Window Size: 260" X 6.25")

NOTE: All dimensions are +/- 0.05in.



Rev F 06 12 2024