

TOROIDAL CURRENT TRANSFORMERS

Model 7RBL | 7RBT | 7RT Ratio to 5 (Window Size: 2.50" Dia.)

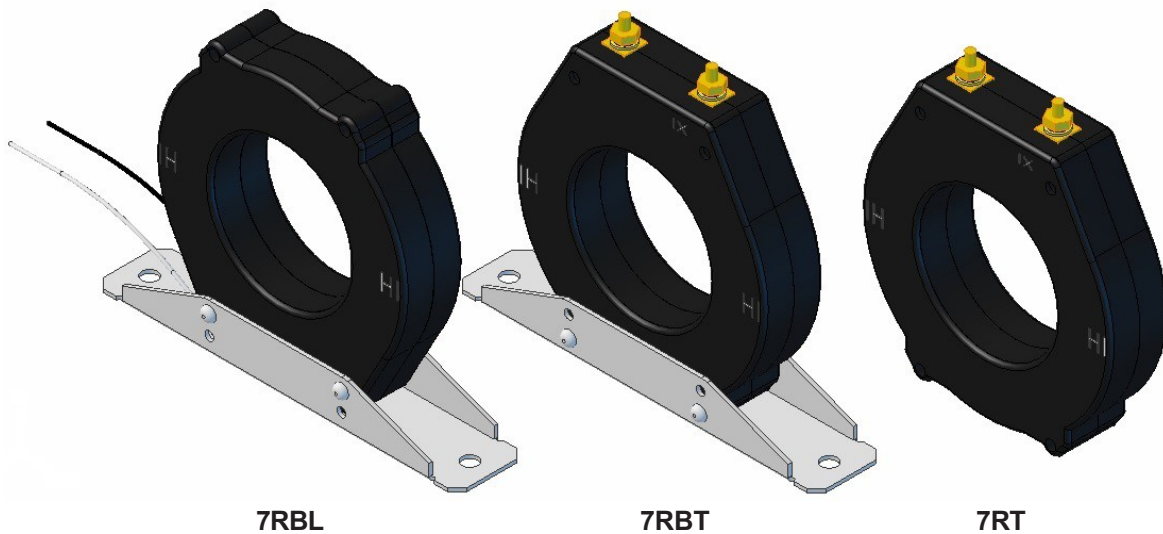
Application: Used with ammeters, watt meters and cross current compensation.

Frequency: 50-400 Hz

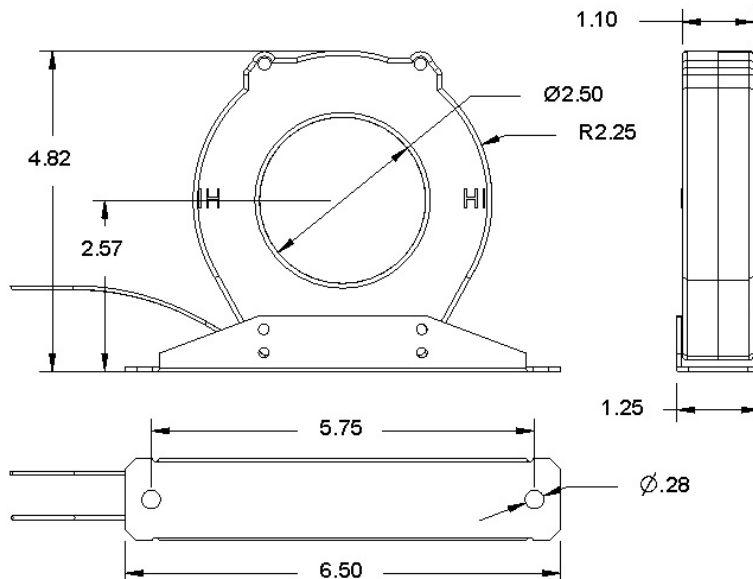
Insulation Level: 600 Volts, 10Kv BIL Full Wave

Standards: CSA 66.1-06, CSA 66.2-06, IEEE C 57.13, and UL 506

- Flexible leads available for all case configurations. Flexible leads are UL 1015 105°C, C.S.A approved #16 AWG, 24" long standard length. Non-standard lengths are available upon request.
- Terminals are brass. See page 3 for available Stud and Female hardware options.
- Terminals are only available on the square case configuration.
- Approximate weight: 1.5 lbs.



MODEL 7RBL

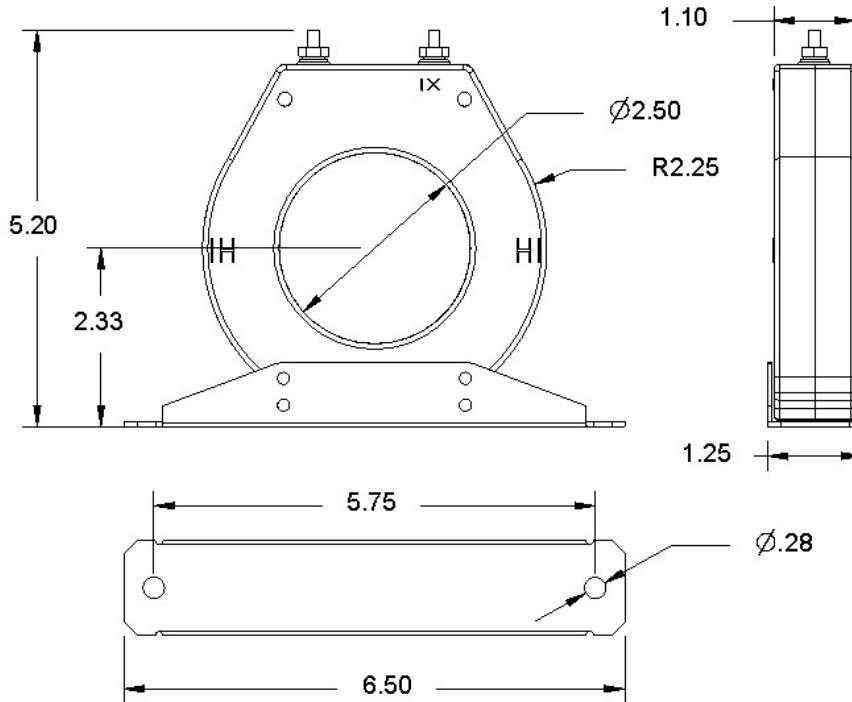


Rev F 06 12 2024

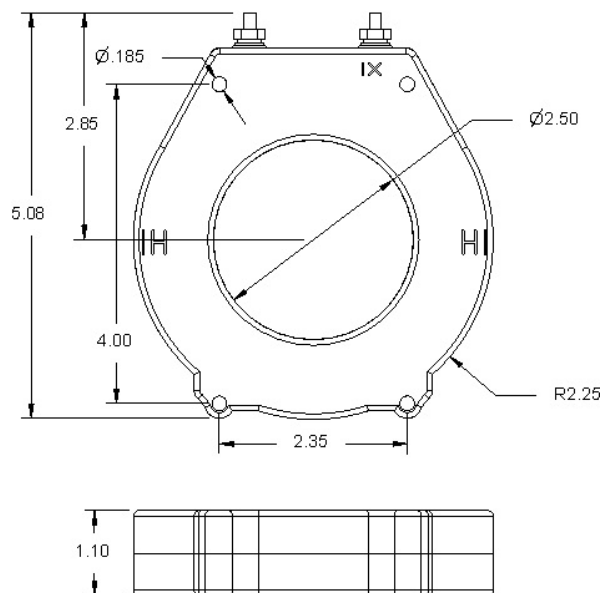
TOROIDAL CURRENT TRANSFORMERS

Model 7RBL | 7RBT | 7RT Ratio to 5 (Window Size: 2.50" Dia.)

MODEL 7RBT



MODEL 7RT



TOROIDAL CURRENT TRANSFORMERS

Model 7RBL | 7RBT | 7RT Ratio to 5 (Window Size: 2.50" Dia.)

Catalog Number	Current Ratio	Accuracy at 60 Hz	Burden VA at 60 Hz	Continuous Thermal Rating Factor	
				@ 30°C	@ 55°C
7**-101	100:5	± 2%	2.5	2.0	2.0
7**-151	150:5	± 1%	5.0	2.0	2.0
7**-201	200:5	± 1%	5.0	2.0	2.0
7**-251	250:5	± 1%	5.0	2.0	2.0
7**-301	300:5	± 1%	12.5	2.0	1.5
7**-401	400:5	± 1%	15.0	2.0	1.5
7**-501	500:5	± 1%	25.0	2.0	1.5
7**-601	600:5	± 1%	30.0	1.5	1.33
7**-751	750:5	± 1%	30.0	1.5	1.0
7**-801	800:5	± 1%	35.0	1.33	1.0
7**-102	1000:5	± 1%	35.0	1.33	1.0
7**-122	1200:5	± 1%	35.0	1.33	1.0
7**-152	1500:5	± 1%	40.0	1.33	1.0
7**-162	1600:5	± 1%	45.0	1.0	0.8

ORDERING NOTE*: When ordering, use the prefix below to indicate unit designation/configuration. (i.e. 7RBL-101)

RBL = Round Case with Standard 24" leads (Non-standard lengths are available upon request)

RBT = Round Case with Brass No. 8-32 UNC with one flat washer, one lock washer and one nut each.

RT = Round Case with Brass studs No. 8-32 UNC with one flat washer, one lock washer and one nut each.

