

## VOLTAGE SIGNAL OUTPUT CURRENT TRANSFORMERS

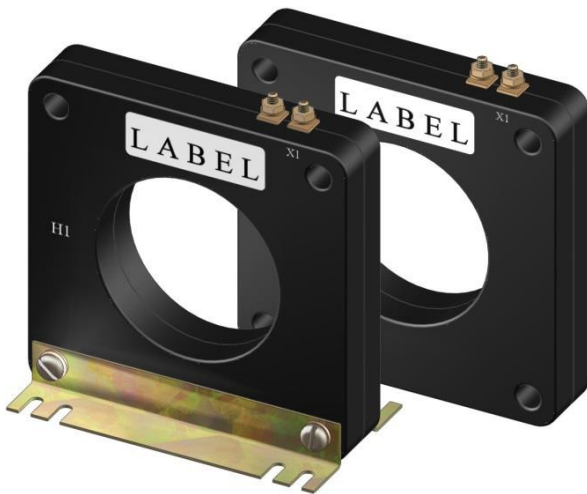
### Model CV8 Ratio to 1 (Window Size: 3.25" Dia.)

**Application:** Generally used to provide 0 - 1.0Vac output with a current input.  
 (Other secondary voltages also available)

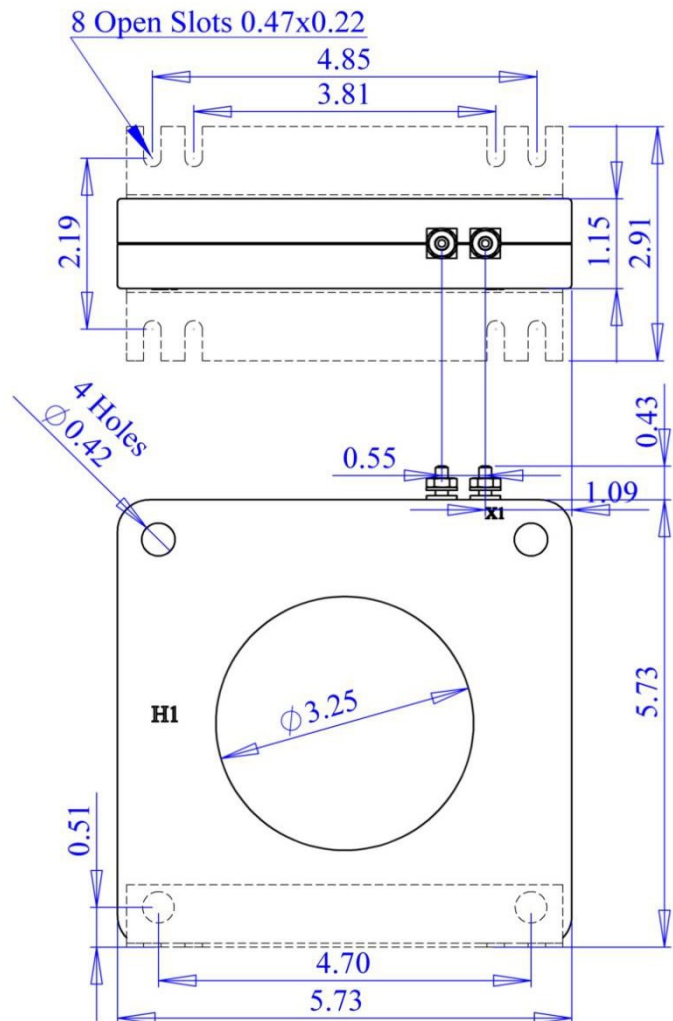
**Frequency:** 50-400 Hz

**Insulation Level:** 600 Volts, 10Kv BIL Full Wave

- Terminals are brass. See page 2 for available Stud and Female hardware options.
- Mounting brackets kits for the Model CV8SHT are sold separately. (P/N 1121A00022-1)
- Approximate weight: 3 lbs.



CV8SHT



## VOLTAGE SIGNAL OUTPUT CURRENT TRANSFORMERS

Model CV8 Ratio to 1 (Window Size: 3.25" Dia.)

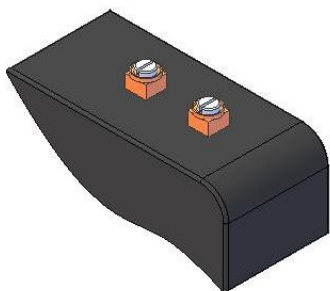
Catalog Number	Primary Current/ Sec. Voltage	Accuracy at 60Hz	TRF @ 30C	TRF @55C
CV8**-101-1	100A:1V	0.3%	1.0	0.8
CV8**-121-1	120A:1V	0.3%	1.0	0.8
CV8**-151-1	150A:1V	0.3%	1.0	0.8
CV8**-201-1	200A:1V	0.3%	1.0	0.8
CV8**-251-1	250A:1V	0.3%	1.0	0.8
CV8**-301-1	300A:1V	0.3%	1.0	0.8
CV8**-401-1	400A:1V	0.3%	1.0	0.8
CV8**-501-1	500A:1V	0.3%	1.0	0.8
CV8**-601-1	600A:1V	0.3%	1.0	0.8
CV8**-751-1	750A:1V	0.3%	1.0	0.8
CV8**-801-1	800A:1V	0.3%	1.0	0.8
CV8**-102-1	1000A:1V	0.3%	1.0	0.8
CV8**-152-1	1500A:1V	0.3%	1.0	0.8

**ORDERING NOTE\*:** When ordering, use the prefix below to indicate unit designation/configuration. (i.e. CV8SHT-101-1)

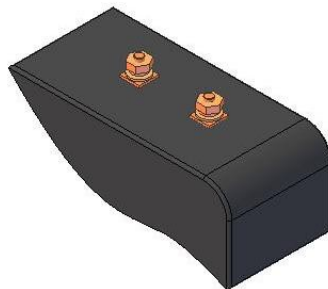
SH-\* = Square Case with mounting holes

T = Male (Brass studs No. 8-32 UNC with one flat washer, one lock washer and one nut each.)

Y = Female (Brass with one Cup washer, one lock washer and one No. 8-32 UNC binding head screw each.)



Y = Female Terminals



T = Male Terminals