

TOROIDAL CURRENT TRANSFORMERS

Model 58RBL | 58RBT | 58RT Ratio to 5 (Window Size: 1.25" Dia.)

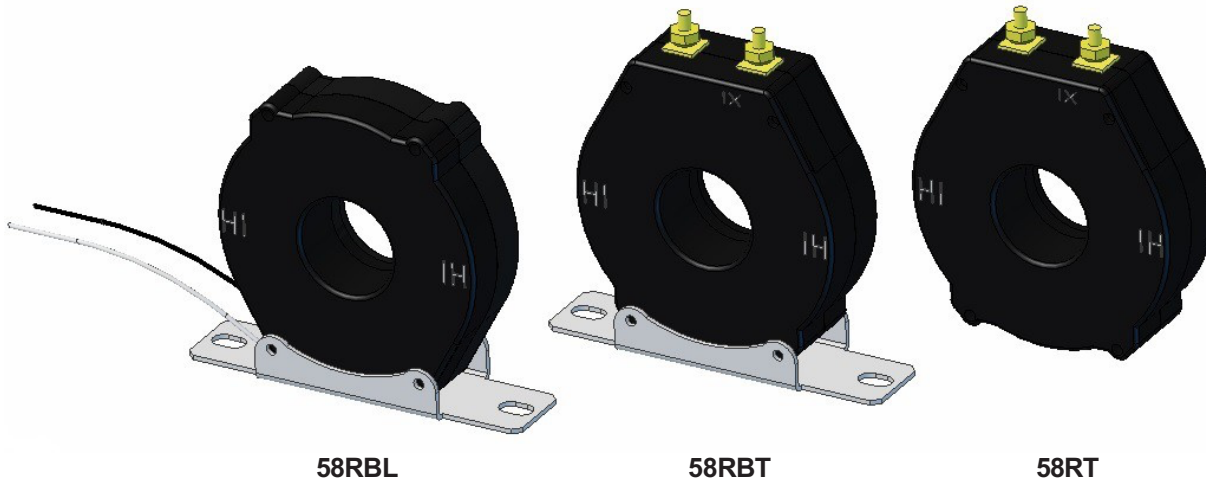
Application: Used with ammeters, watt meters and cross current compensation.

Frequency: 50-400 Hz

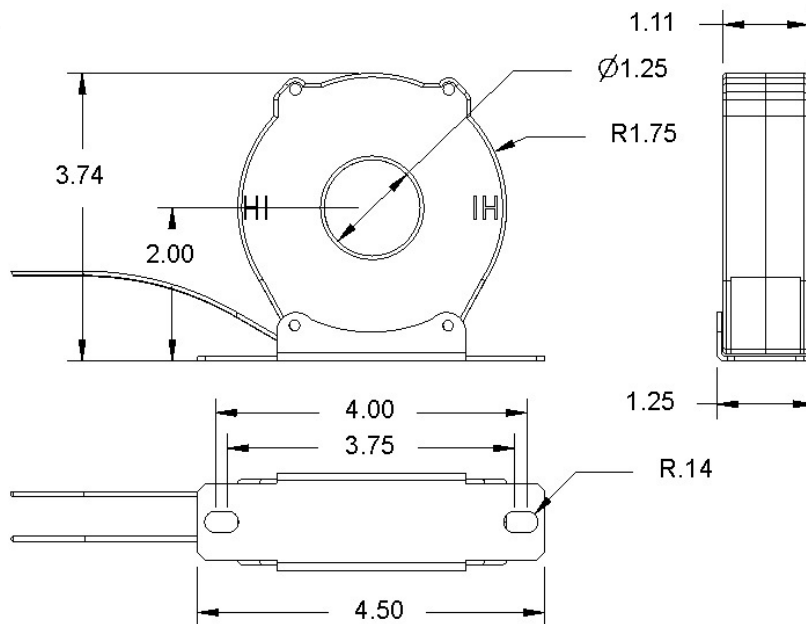
Insulation Level: 600 Volts, 10Kv BIL Full Wave

Standards: CSA 66.1-06, CSA 66.2-06, IEEE C 57.13, and UL 506

- Flexible leads available for all case configurations. Flexible leads are UL 1015 105°C, C.S.A approved #16 AWG, 24" long standard length. Non-standard lengths are available upon request.
- Terminals are brass No. 8-32 UNC with one flat washer, one lock washer and one nut each. See page 3 for available Stud and Female hardware options.
- Approximate weight: 1.3 lbs.



58RBL

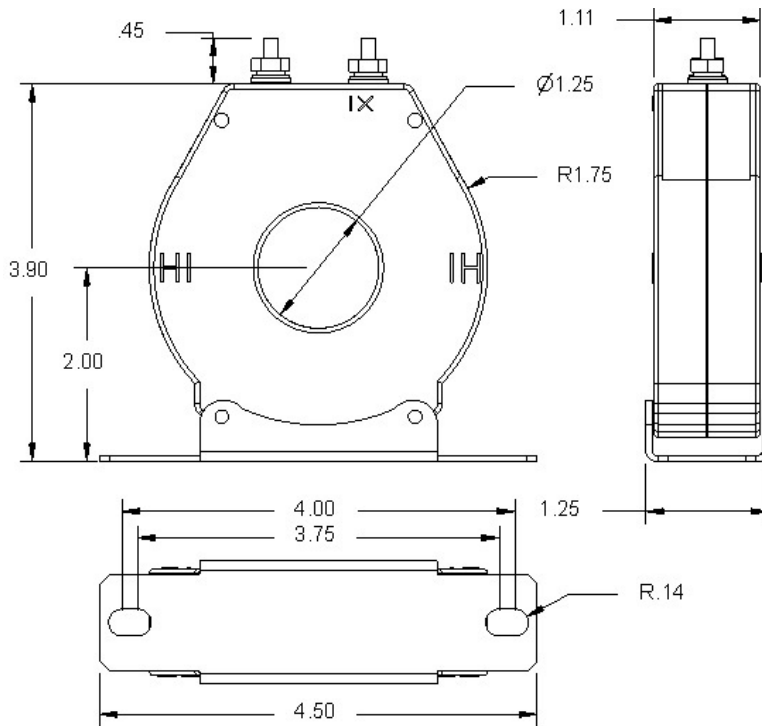


Rev F 06 12 2024

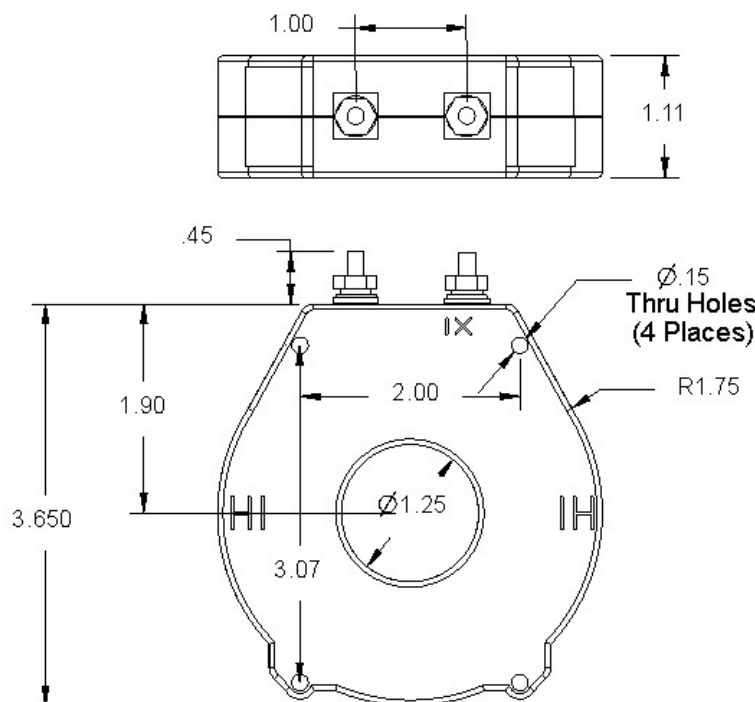
TOROIDAL CURRENT TRANSFORMERS

Model 58RBL | 58RBT | 58RT Ratio to 5 (Window Size: 1.25" Dia.)

58RBT



58RT



Rev F 06 12 2024

TOROIDAL CURRENT TRANSFORMERS

Model 58RBL | 58RBT | 58RT Ratio to 5 (Window Size: 1.25" Dia.)

Catalog Number	Current Ratio	Models 58RBL/58RBT/RT		Rating Factor	
		Accuracy at 60 Hz	Burden VA at 60 Hz	@30°	@55°
58 **—500	50:5	± 3%	1.5	2.0	2.0
58 **—600	60:5	± 2%	2.5	2.0	2.0
58 **—750	75:5	± 1.5%	2.5	2.0	2.0
58 **—800	80:5	± 1%	2.5	2.0	1.5
58 **—101	100:5	± 1.5%	5.0	2.0	1.5
58 **—121	120:5	± 1%	5.0	1.5	1.33
58 **—1250	125:5	± 1%	6.0	1.5	1.33
58 **—151	150:5	± 1%	7.5	1.5	1.33
58 **—201	200:5	± 1%	12.5	1.5	1.33
58 **—251	250:5	± 1%	12.5	2.0	1.5
58 **—301	300:5	± 1%	15	2.0	1.5
58**—401	400:5	± 1%	25	1.5	1.33
58**—501	500:5	± 1%	25	1.33	1.0
58**—601	600:5	± 1%	25	1.33	1.0
58**—751	750:5	± 1%	25	1.0	0.8
58**—801	800:5	± 1%	25	0.8	0.8

ORDERING NOTE*: When ordering, use the prefix below to indicate unit designation/configuration. (i.e. 58RBL-101)

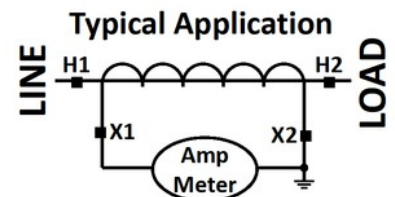
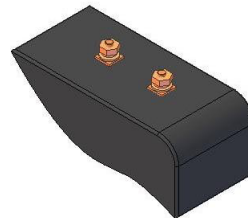
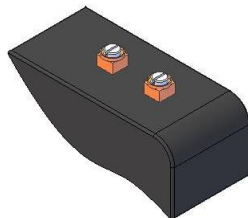
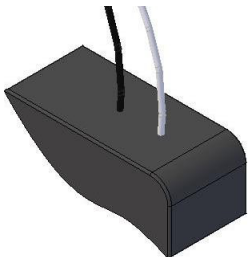
RBL = Round Case with Standard 24" leads. (Non-standard lengths are available upon request)

RBT = Round Case with Brass studs No. 8-32 UNC with one flat washer, one lock washer and one nut each.

RT = Round Case with Brass studs No. 8-32 UNC with one flat washer, one lock washer and one nut each.

T = Male (Brass studs No. 8-32 UNC with one flat washer, one lock washer and one nut each)

Y = Female (Brass with one Cup washer, one lock washer and one No. 8-32 UNC binding head screw each)



L = 16awg Lead Wire Y = Female Terminals T = Male Terminals

*X is to be replaced with "L", "Y" or "T" for terminal or lead designation.

Rev F 06 12 2024